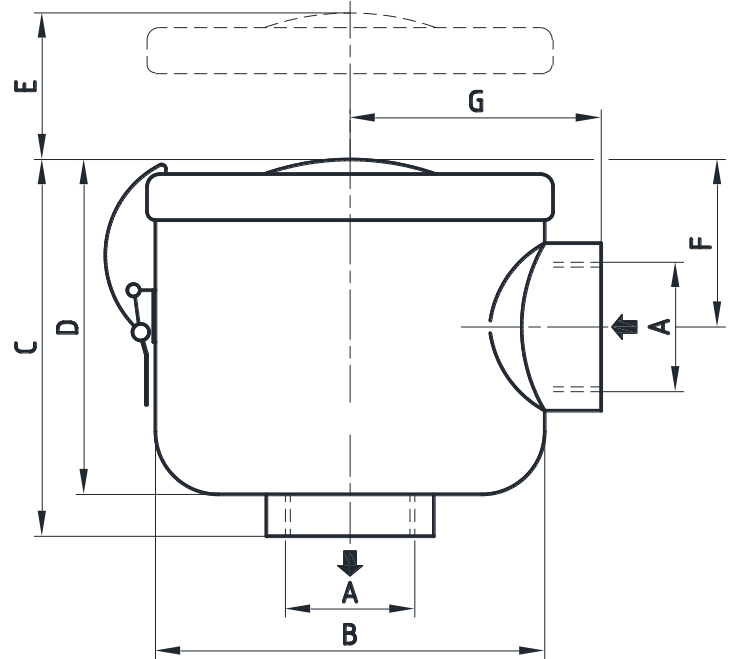


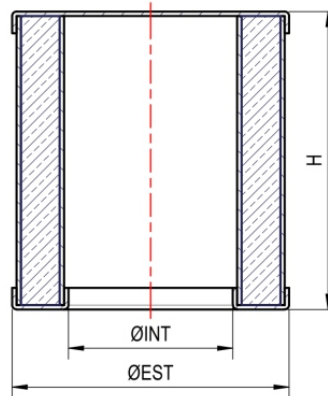
METAL BOWL FILTER



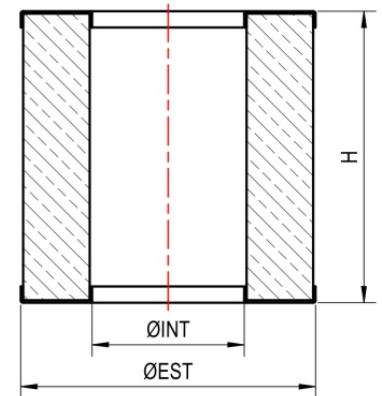
Product Description:

Filters with metal bowls. The system and specifications are the same as the FCT series filters, except for the housing that made of painted metal. A rapid opening system makes it easy to replace the filter cartridge. For easier cleaning of the filter cartridge, it is preferable to install the filter horizontally.

TYPE I



TYPE II



Model	Part #	m ³ /h	A	ØB	ØC	D	E	F	G	H	lbs	Element	Material	µm	Max °F	Max bar	Type
FCM 36	9001024	36	½"	40	93	90	80	75	40	60	1.32	1801017	Paper	7	176	0.5	I
FCM 40	9001025	40	¾"	40	93	90	80	75	40	60	1.32	1801017					II
FCM 145	9001017	145	1 ¼"	50	170	160	145	140	73	100	3.75	1801012					II
FCM 192	9001018	192	1 ½"	57	170	188	170	170	90	100	4.41	1801013					II
FCM 300	9001082	300	2"	70	200	260	235	230	125	115	7.71	1801014					II